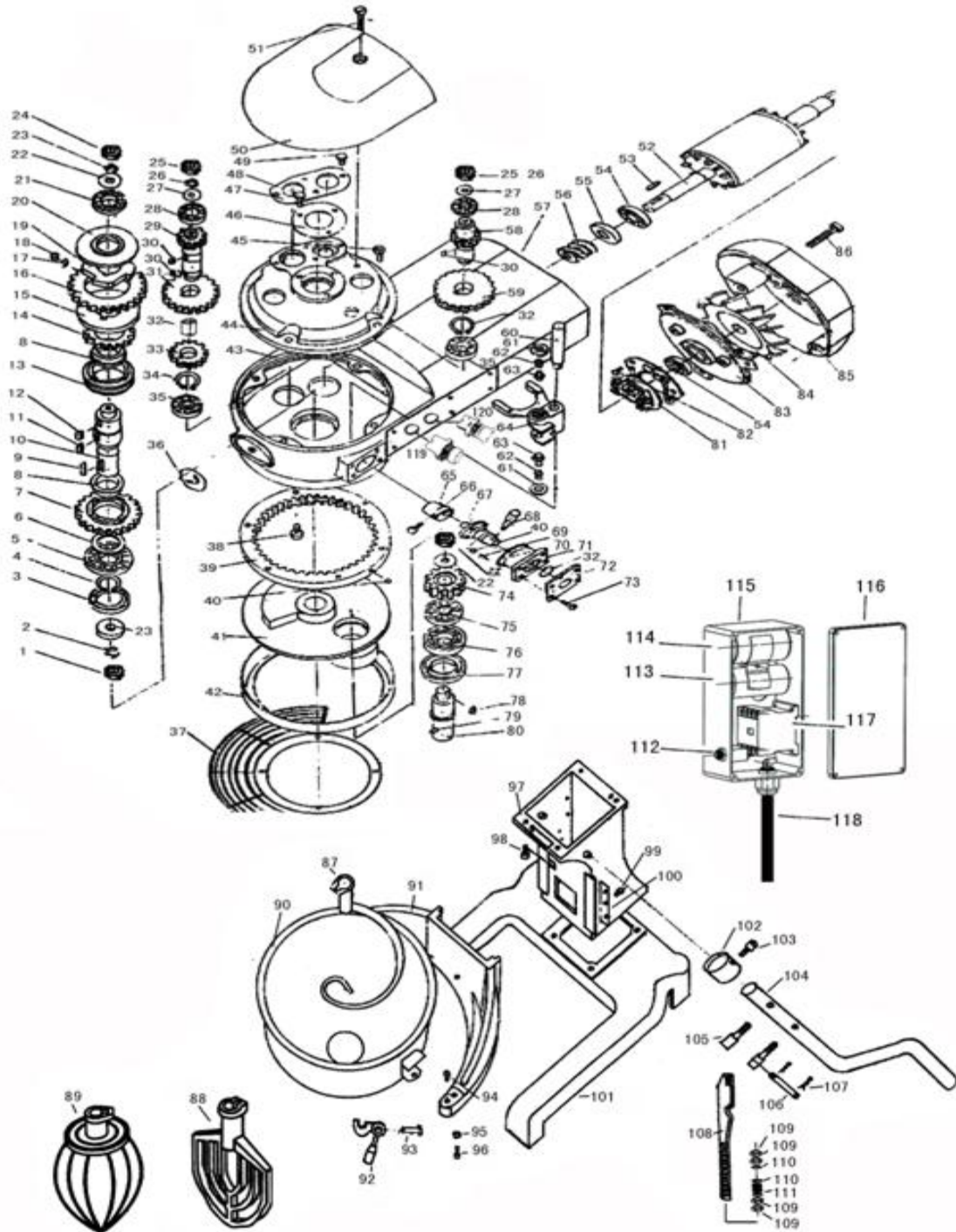


МИКСЕР ПЛАНЕТАРНЫЙ STARFOOD M20



МИКСЕР ПЛАНЕТАРНЫЙ STARFOOD M20

1	Nut	63	Top pin fork
2	Spring washer	64	Fork
3	Seal	65	Eccentric Sleeve
4	spring for Axis	66	Cylindrical pin
5	Bearing	67	Mandrel
6	Bearing on the next set of	68	Variable-speed controller
7	Clutch gear	69	Shift Spring
8	Output shaft gear units	70	Ring
9	Flat keys	71	Transmission Block
10	Output shaft	72	Shift panel
11	Flat keys	73	Semicircle head screws
12	Flat keys	74	Planetary Gear
13	Output shaft clutch	75	Bearing
14	Clutch on the gear	76	Bearing
15	Under the cover plate ratchet	77	Seal
16	Outer Ring	78	Flat keys
17	Roller spring	79	Conical pin
18	Roller	80	Planetary axis
19	With stars round	81	Centrifugal switch action films
20	Ratchet on the cover	82	Centrifugal switch chip static
21	Bearing	83	Motor Cover
22	Flat pad	84	Blade
23	Spring washer	85	Box back
24	Nut	86	Hexagon screw
25	Nut	87	Hook
26	Spring washer	88	Film
27	Flat washer	89	Ball
28	Bearing	90	bowl
29	The middle of the bridge axis	91	Block of the bowl
30	Flat keys	92	Hands pressed of the bowl
31	Gear intermediate shaft	93	Resellers handle
32	Long sets of intermediate shaft	94	bowl pin
33	Intermediate shaft pinion	95	Spring washer
34	Shaft ring	96	Nut
35	Bearing	97	Column
36	Yen sign	98	Hexagon head screw cylinder
37	Activities Shield	99	Outside the hexagon screw
38	Hexagon screw	100	Platen
39	internal the ring gear	101	Base
40	Hexagon screw	102	Sleeve only
41	Transposable	103	Hexagon head screw cylinder
42	Shield Block	104	Reverse handle
43	Box	105	Supporting bar
44	Bearing Block	106	Cylinder pin hole at both ends
45	Hexagon screw	107	Forelock
46	Single-bearing gland	108	Lift rod
47	Two-bearing gland	109	Nut
48	Hexagon screw	110	Increase the level pad
49	Semicircle head screws	111	Compression spring
50	Superstructure	112	overload protection
51	Semicircle head screws	113	capacitor
52	Rotor	114	capacitor
53	Flat keys	115	electric box
54	Bearing	116	electric box cover
55	Seal	117	A.C condenser
56	Motor screw	118	power wire
57	Motor Stator	119	start switch
58	Input shaft	120	stop switch
59	Worm		
60	Fork guide bar		
61	Fork with nut		
62	Fork with spring		