

Apach COOK *line*

Catalogo parti di ricambio valido
dalla matricola 0000001 (31.10.2006) ad oggi (16.02.2023)

Catalogue pieces detachees
valable à partir du numero de Série n. 0000001 (31.10.2006) jusqu'à aujourd'hui
(16.02.2023)

Ersatzteilkatalog
gültig ab Serien-Nr. 0000001 (31.10.2006) bis heute (16.02.2023)

Spare parts catalogue
valid from serial no. 0000001 (31.10.2006) up today (16.02.2023)

Catálogo de peças de reposição
válido do número de série 0000001 (31.10.2006) até hoje (16.02.2023)

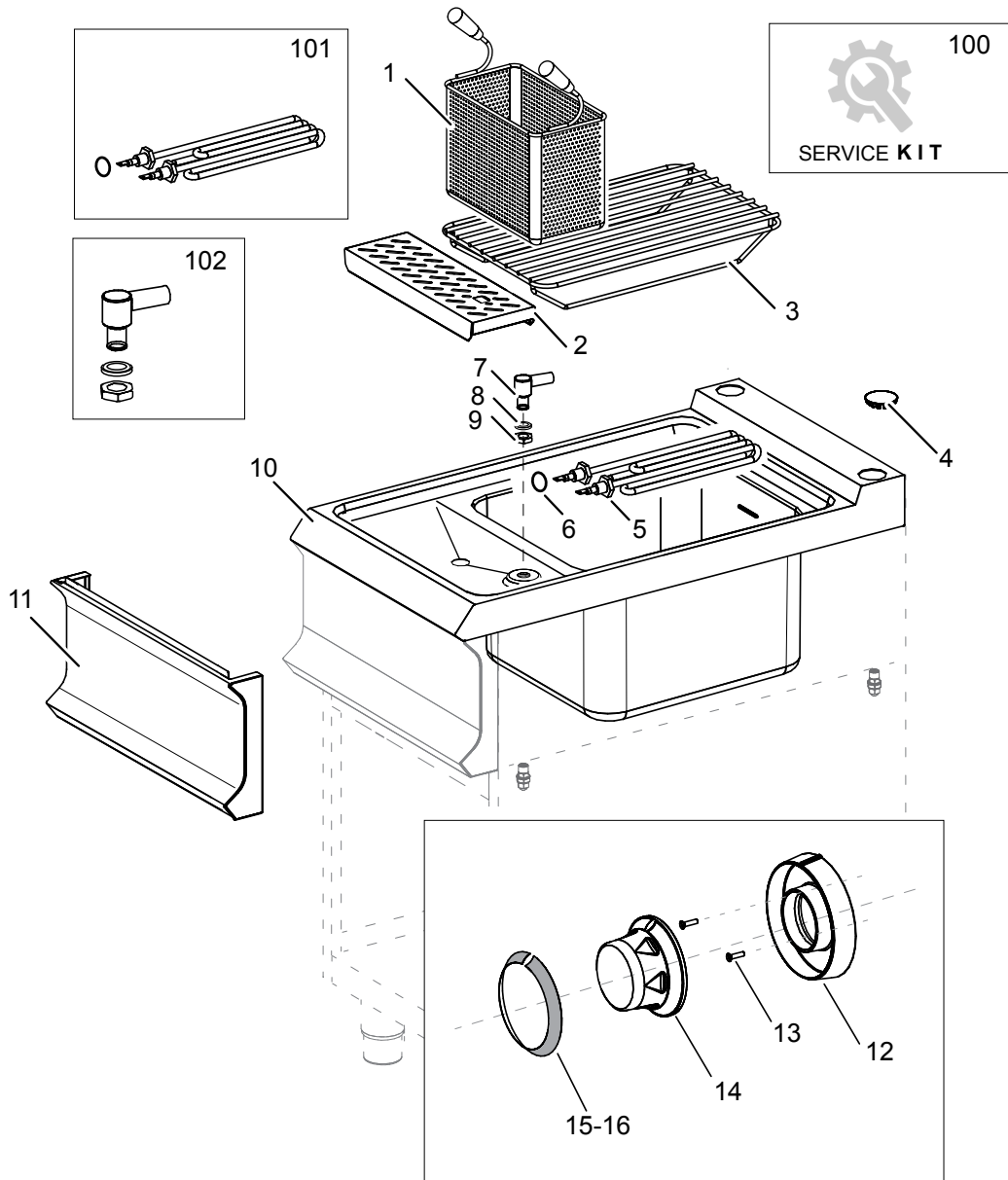
Le informazioni sono considerate non vincolanti. Le immagini rappresentate sono puramente indicative. Il produttore si riserva il diritto di apportare modifiche in qualsiasi momento senza preavviso.

Les informations données ne sont pas contraignantes. Les images montrées sont à titre indicatif. Le producteur se réserve le droit d'apporter des modifications sans préavis.

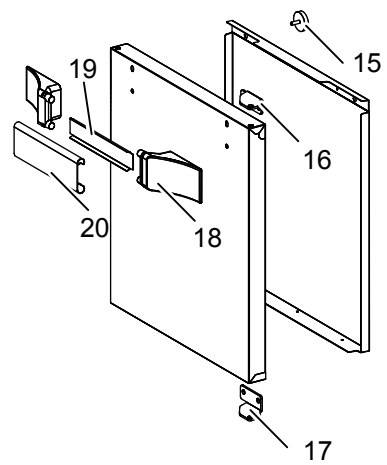
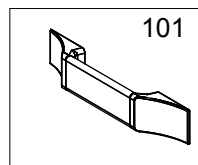
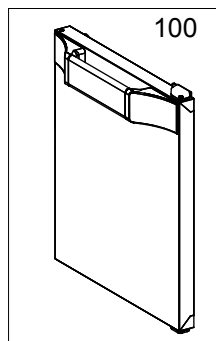
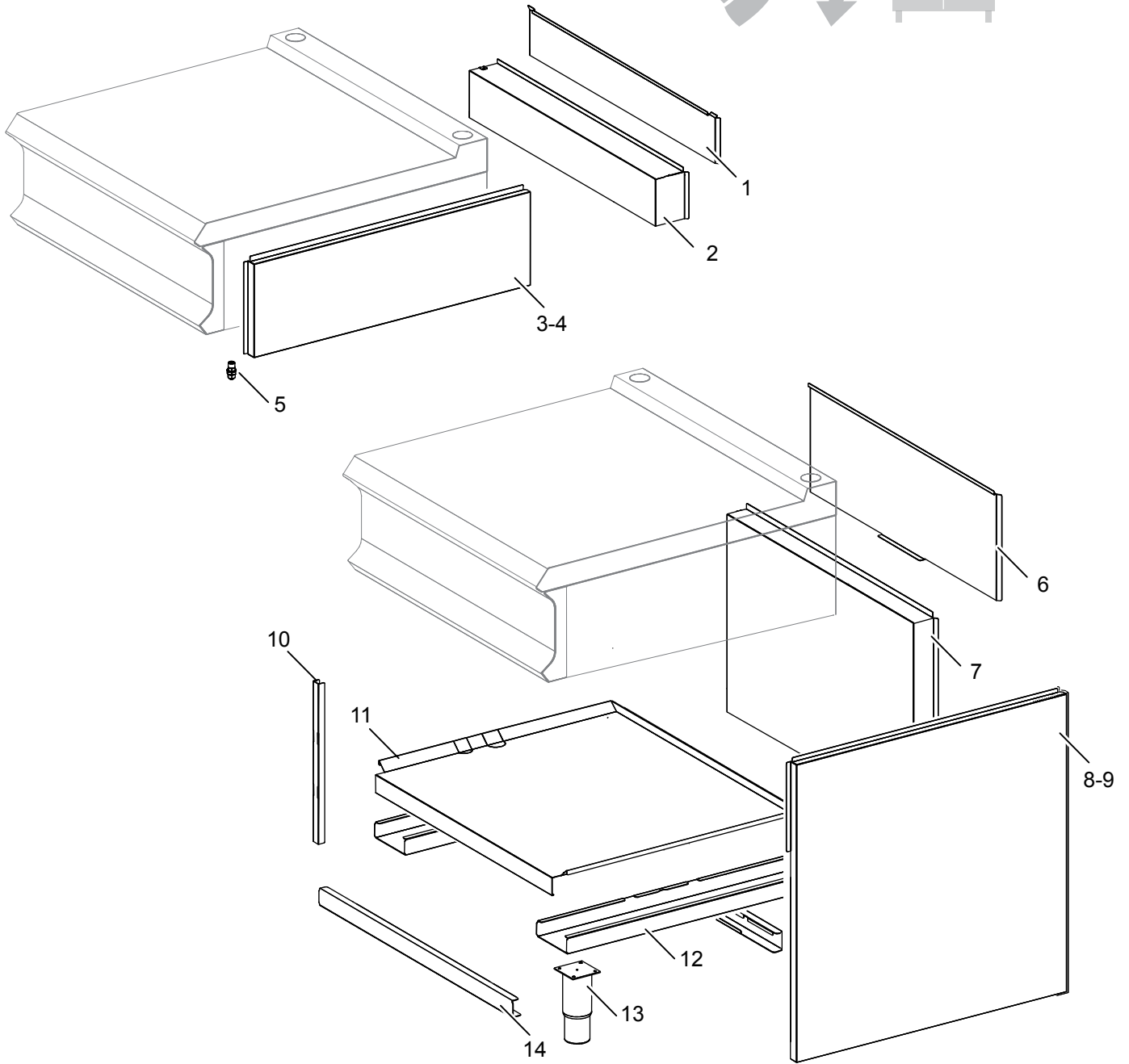
Die im vorliegenden Dokument aufgeführten Informationen und Bilder sind unverbindlich. Der Hersteller behält sich das Recht vor, jederzeit ohne vorherige Ankündigung Änderungen vorzunehmen

Info and drawing could be slightly different from reality and they cannot be considered as compelling. Manufacturer can modify info anytime without forewarning.

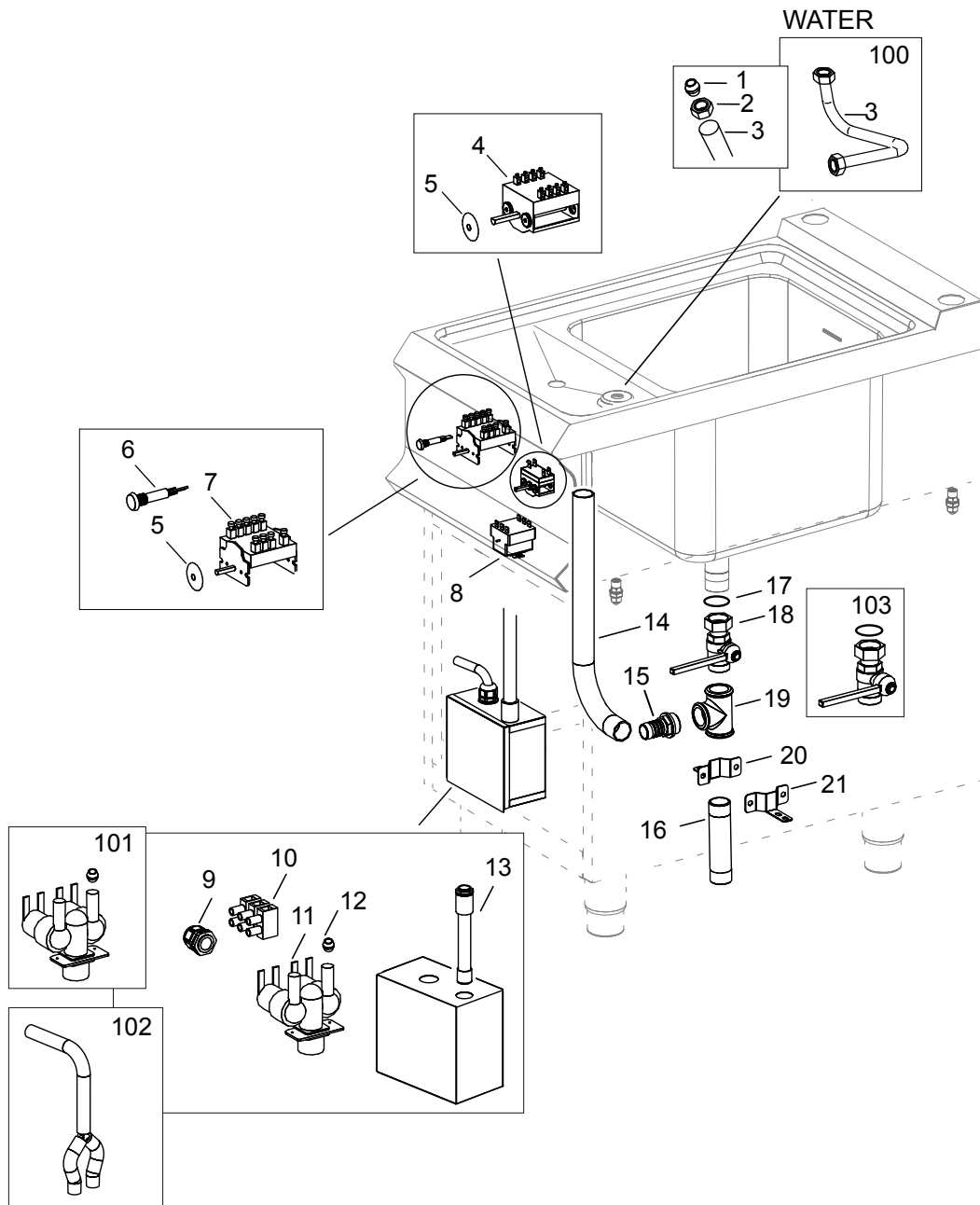
As Informações e desenhoS podem estar um pouco diferente da realidade e são puramente indicativas. O fabricante pode modificar estas informações a qualquer momento sem aviso prévio.



Nr.	Code	Title	Recommended
2.	182374	NON-SLIP BASKET	
3.	RTCU800343	BASKET SUPPORT GRID	
5.	RTCU800342	HEATING ELEMENT 3KW	✓
6.	RTCU700623	GASKET OR3062	✓
7.	174207	WATER EROGATOR	
8.	RTMIN00288	WASHER	
9.	RTCP800094	LOCK NUT	
10.	203635	ARBEITSPLATTE + WANNE	
11.	202287	CONTROL PANEL	
14.	202200	COMMUTATOR KNOB	
15.	200348	SWITCH RING	
16.	200902	WATER LOAD KNOB RING	
18.	202046	CHIMNEY GRILL	
100.	ECS9000	RECOMMENDED PARTS FOR CPE94-98	
101.	RIC0005115	KIT HEATING ELEMENT	
102.	181308	WATER SPOUT	



Nr.	Code	Title	Recommended
6.	200036	<i>BACK SIDE TALL</i>	
7.	200033	<i>BACK SIDE LOWER</i>	
8.	201556	<i>RIGHT SIDE</i>	
9.	201557	<i>LEFT SIDE</i>	
10.	200002	<i>HIP REINFORCEMENT</i>	
11.	201733	<i>LOWER FLOOR</i>	
12.	203046	<i>CROSS FEET</i>	
13.	RTCU700277	<i>FOOT</i>	
14.	200029	<i>FRONT / REAR CROSS MEMBER</i>	
15.	181529	<i>DOOR MAGNET</i>	
16.	200064	<i>RIGHT HINGE</i>	
17.	200065	<i>LEFT HINGE</i>	
18.	200159	<i>HANDLE TERMINAL</i>	
19.	200909	<i>INSIDE HANDLE L180</i>	
20.	200643	<i>HANDLE</i>	
100.	RIC0004932	<i>DOOR</i>	
101.	RIC0004928	<i>HANDLE CUPBOARD</i>	



Nr.	Code	Title	Recommended
1.	RTCU900012	BICONE D.10	✓
2.	RTCU900013	NUT D.10 HEIGHT H. 14 MM	✓
4.	RTFOC00694	COMMUTATOR	✓
5.	RTCU800185	GASKET FOR COMMUTATOR ROD	✓
6.	166465	GREEN WARNING LIGHT	✓
7.	RTCP900036	COMMUTATOR	✓
8.	RTCP900074	SAFETY THERMOSTAT	✓
9.	RTBF800138	CHOCK	
10.	RTBF900045	TERMINAL BOARD	
11.	RTFOC00203	2 WAY ELECTROVALVE	✓
12.	172832	0,5 LT FLOW RATE SOLENOID VALVE/REGULAT	✓
13.	RTBF800178	CABLE PROTECTION HOSE + NUTS	
14.	MPGOM27T00	HOSE, RUBBER D.25 GC45/2 100øC	
15.	RTCU800355	WATER DRAIN PLUG	
16.	165912	DRAIN WATER PIPE	
17.	183846	GASKET	✓
18.	183863	WATER DRAIN TAP	✓
19.	RTCU800352	CONNECTOR	
20.	RTBF800171	CABLE TIE	
21.	184754	PLATE	
100.	203037	WASHING SYSTEM PIPE	
101.	RTFOC00203-00	2 WAY ELECTROVALVE KIT WITH REGULATORS	✓
102.	RIC0004972	FEEDING KIT H2O	
103.	RIC0004944	KIT DRAIN TAP CPE74	